

Little Colorado[®]

Inc.

Quality Wooden Children's Furniture and Accessories
Made in America • Established 1987
www.littlecolorado.com



WARNING: ADULT ASSEMBLY REQUIRED

WARNING: Assembly kit contains parts with sharp edges.

WARNING: Assembly kit contains parts with sharp points.

WARNING: Package contains plastic bags that present suffocation risks for children.

WARNING: Assembly kit contains small parts that present choking hazards for children.

Assembly Instructions for Child's Adirondack Chair Item #140

Contents:	Hardware
Parts	6- 1 3/4" Bolts
2- Arm/Leg Sets (A)	6- Cap Nuts
1- Seat Assembly (B)	6- Washers
1- Back Assembly (C)	2- 1 5/8" Wood Screws

You will need a standard phillips screwdriver, a flat head screwdriver and a pair of pliers to complete assembly.

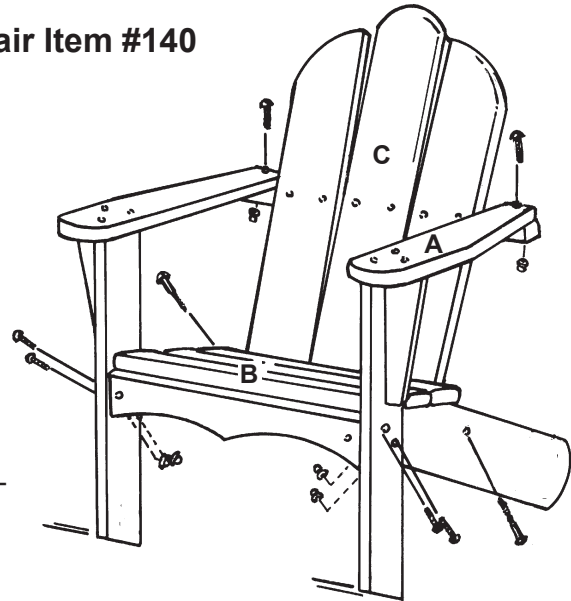
1. Please inspect the parts for damage during shipping and for any missing items. If you suspect that there may be damage or a shortage, call us and we will send replacement parts if needed. At this time, visualize how the components fit together per the above drawing and make sure that you have everything indentified.

2. Slide the back assembly into the slots behind the seat so that it looks like the drawing. Hold the arm/leg set and the seat assembly into position so that the holes line up and install two bolts. Start a washer and a cap nut on each bolt and tighten hand tight only. Now attach the other arm/leg the same way.

3. Align the holes in the backs of the arms with the brace on the rear of the back assembly. Put the bolts in the holes, add a washer and a cap nut and hand tighten.

4. Make sure the right and left sides lower brace of back assembly are fully seated in the slots and start the two wood screws. Screw in the wood screws until tight and the heads are slightly below the surface of the wood.

5. Place the Chair on a hard level surface with all four legs in contact with the floor. Using a flat screwdriver and a pair of pliers, tighten all cap nuts securely until the bolt heads begin to be pulled slightly into the wood.



Use, Care and Cleaning:

If this Chair is unfinished, it must be totally protected by an outdoor/exterior rated stain or house paint **BEFORE** being used outside. Exposure to any weather or even sun can cause rapid deterioration, cracking, warping, splitting and discoloration of unfinished wood. The Natural (clear) finish is for inside use only.

If this Chair is painted a solid color, the finish is designed to provide long lasting protection when exposed to the harshness of weather. But no matter how durable, painted wooden furniture should not be left outdoors continually. It is best to store it inside when not in use. Even in mild conditions, painted wood furniture left outdoors will eventually fade and show the effects of exposure to weather. To clean your painted furniture, use a mild detergent such as a dishwashing liquid and a soft cloth. Never use any type of abrasive cleanser.

All of us at Little Colorado, Inc. hope that you and your little ones enjoy this Child's Adirondack Chair for many years. Please call us if you need any help in assembly.

Little Colorado, Inc. 4450 Lipan Street Denver, Colorado 80211
 Phone 303-964-3212 Fax 303-964-3213 www.littlecolorado.com