



Quality Wooden Children's Furniture and Accessories  
*Made in America • Established 1987*  
[www.littlecolorado.com](http://www.littlecolorado.com)

Revised 12/10  
 by  
 E. Layton



**WARNING: ADULT ASSEMBLY REQUIRED**

**WARNING:** Assembly kit contains parts with sharp edges.

**WARNING:** Assembly kit contains parts with sharp points.

**WARNING:** Package contains plastic bags that present suffocation risks for children.

**WARNING:** Assembly kit contains small parts that present choking hazards for children.

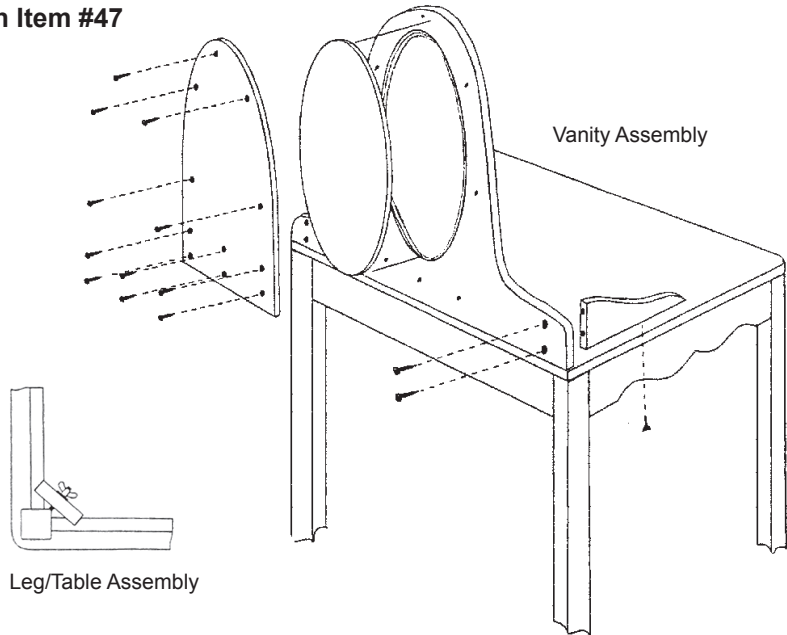
**Assembly Instructions for Vanity and Bench Item #47**

**Required Tools:**

Phillips Screwdriver

**Contents:**

- 1- Vanity Table Top
- 4- Vanity Legs
- 1- Vanity Back
- 2- Vanity Supports
- 1- Mirror
- 1- Mirror Cover
- 1- Bench Seat
- 4- Bench Legs
- 8- Wing Nuts
- 8- Flat Washers
- 11- 5/8" Wood Screws
- 4- 1-5/8" Wood Screws
- 2- 1-1/4" Wood Screws



Please inspect all parts for damage during shipping and for any missing items. If you suspect that there may be damage or a shortage, call us and we will send replacement parts if needed.

1. Remove the protective coating from the front of the mirror and place it inside the vanity back. Now lay them both front side down on a surface that won't scratch the mirror. Position the mirror cover over the vanity back so that the holes line up correctly. Install eight of the 5/8" screws to secure the mirror cover.
2. Position the two supports in front of the vanity back so that the holes line up and that the bottoms are exactly even. They are interchangeable right or left. Now carefully install the four 1-5/8" wood screws.
3. Insert the bolt sticking out of the vanity leg through the hole in any corner of the vanity table top. From the inside of the table, slide a flat washer over the bolt and screw on a wingnut as shown above. Hand tighten only. Using the same procedure, put the other three long legs on the vanity top and the four shorter legs on the bench.
4. Lay the vanity table top on its back side and position the vanity back so that each pilot hole underneath the support lines up with the corresponding hole in the vanity table top. Start a screw through the underside of the vanity table into the support but do not tighten completely. Be certain the screw goes only into the pre-drilled hole. Now carefully position the other support and loosely install its screw.
5. Carefully move the vanity table and partially attached back into an upright position. If necessary, adjust the back so that it is centered with the vanity table top and tighten all loose screws.
6. Install and tighten the remaining three 5/8" screws through the rear of the mirror cover and into the rear of the vanity table top. There are no predrilled holes for these three screws.

All of us at Little Colorado, Inc hope that you and your little ones enjoy this Vanity and Bench for many years.  
 Please call us if you have any questions.

Manufactured in America by:  
 Little Colorado, Inc. 4450 Lipan Street Denver, Colorado 80211  
 Phone 303-964-3212 Fax 303-964-3213 [info@littlecolorado.com](mailto:info@littlecolorado.com)