

Quality Wooden Children's Furniture and Accessories
Made in America • Established 1987
 www.littlecolorado.com



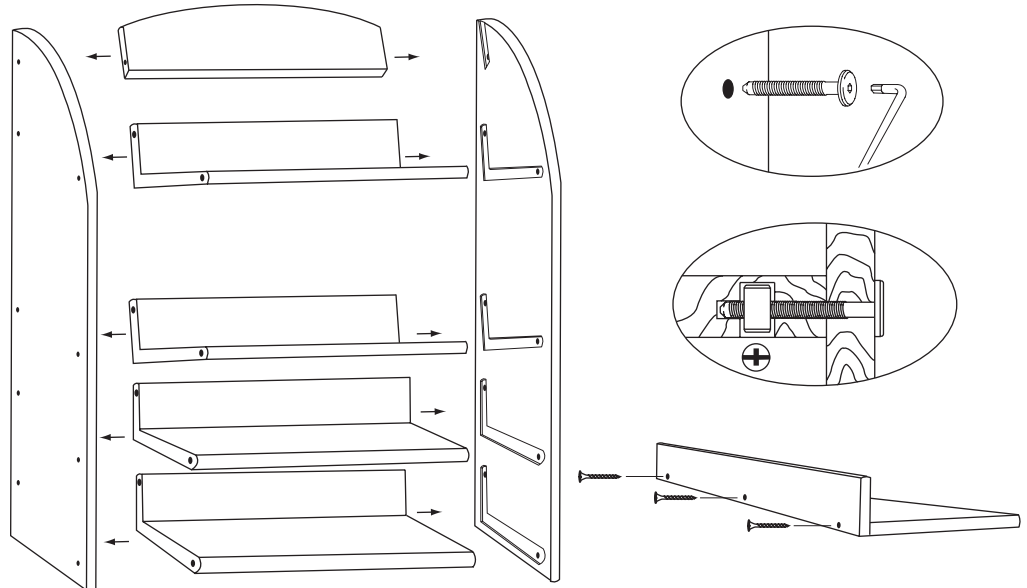
WARNING: ADULT ASSEMBLY REQUIRED
WARNING: Assembly kit contains parts with sharp edges.
WARNING: Assembly kit contains parts with sharp points.
WARNING: Package contains plastic bags that present suffocation risks for children.
WARNING: Assembly kit contains small parts that present choking hazards for children.

Assembly Instructions for Bookcase / Organizer Item #66

Contents:

- 1 - Right Side Panel
- 1 - Left Side Panel
- 1 - Small Shelf
- 3 - Large Shelves
- 4 - Shelf Backs
- 1 - Top Backstop
- 18 - Bolts
- 18 - Barrel Nuts
- 1 - Allen Wrench
- 12 - 1 1/4" Screws
- 6 Plastic Bins and 6 Lids

You will need a standard phillips screwdriver to complete assembly.



1. Please inspect the parts for damage that may have occurred during shipping and for any missing items. If you suspect that there may be damage or a shortage, call us and we will send replacement parts if needed. At this time, visualize how the components fit together per the above drawing and make sure that you have everything identified. This product is finished with an environmentally friendly waterbased acrylic. It is totally non toxic and is the same finish approved for use on wooden plates and salad bowls. There may be an odor when taken out of the box. It will dissipate more rapidly with warmer temperature and air movement. Clean with non-abrasive cleaner and a cloth.
2. Choose a side panel and one of the large shelves. Place it into the bottom position per the above sketch with the 7/16" diameter holes on the underside of the shelf. It is easier to lay everything on its back. Insert one of the barrel nuts into the 7/16" hole nearest to the side. Put the smooth side in first so that the slotted side is showing and align the longest slot toward the nearest end of the part. See the diagrams above for clarification. You should be able to look into the smaller holes in the ends of the part and see the threaded openings in the barrel nuts. If necessary, rotate the barrel nut with a screwdriver so that it lines up perfectly. Start the bolt into the nut using the allen wrench, tighten until snug then loosen one full turn. Repeat for the remaining shelves.
3. Position the shelf backs in the slots behind the shelves and install the bolts. The 3/8" holes are to the rear. Do not put the 1 1/4" screws in yet. Now attach the top backstop.
4. Take this assembly and lay it on its side so that the shelves are pointing upward. Carefully lay the other bookcase side on top, position the parts and install the remaining 7 barrel nuts and bolts, then loosen one full turn.
5. Stand the bookcase upright on a level surface. Screw in three 1 1/4" screws through each shelf-back into the shelf. Now re-tighten all bolts using the allen wrench. Do not use a power tool. Overtightening these bolts will permanently damage the product. Add the six bins to the lower shelves.

All of us at Little Colorado, Inc. hope that you and your little ones enjoy this Bookcase/Organizer for many years. Please call us if you need any help in assembly.

Manufactured in America by:

Little Colorado, Inc. 4450 Lipan Street Denver, Colorado 80211
 Phone 303-964-3212 Fax 303-964-3213 www.littlecolorado.com email: info@littlecolorado.com