



Quality Wooden Children's Furniture and Accessories
Made in America • Established 1987
www.littlecolorado.com

! WARNING: ADULT ASSEMBLY REQUIRED

WARNING: Assembly kit contains parts with sharp edges.

WARNING: Assembly kit contains parts with sharp points.

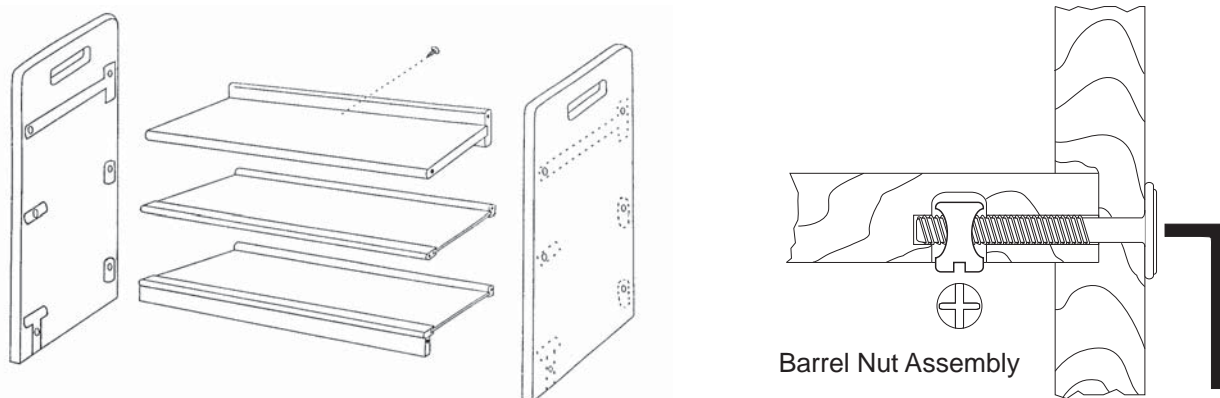
WARNING: Package contains plastic bags that present suffocation risks for children.

WARNING: Assembly kit contains small parts that present choking hazards for children.

Assembly Instructions for Toy Bin Organizer Item #69

Tools Required: Standard Phillips Screwdriver

Contents: 1- Right Side, 1- Left Side, 1- Top Shelf, 1- Top Shelf Rear Support, 2- White Tile Board Shelves, 2- Tile Board Shelf Rear Supports (interchangable), 1- Tile Board Shelf Middle Front Support, 1- Tile Board Shelf Lower Front Support, 12- Joint Connector Bolts, 12 Barrel nuts, 1- 1 1/4" Wood Screw, 1- Allen Wrench, 8- Bins, 8- Lids for Bins



Please visualize how all the components fit together per the illustration and make sure that you have everything identified. Please inspect the parts for possible shipping damage and for any missing items.

If you suspect that there could be a problem, contact us and we will help you.

This product is finished with a waterbased acrylic. It is totally non toxic and is the same finish approved for use on wooden plates and salad bowls. There may be an odor when first unpacked. It will dissapate more rapidly with warmer temperatures and air movement. Clean surfaces with a non abrasive cleanser and a soft cloth.

1. Choose the right side and the top shelf. Insert one of the barrel nuts into the hole in the underside of the right side of the top shelf. Put the smooth side in first so that the slotted side is showing and align the longest slot toward the bolt hole. You should be able to look into the smaller holes and see the threaded opening in the barrel nuts. If necessary, rotate the barrel nuts so that they line up perfectly.
2. Place the top shelf in the correct position in the right side and screw in one of the gold joint connector bolts. Tighten the bolt using the allen wrench until snug and then loosen two full turns. Next assemble the top rear support the same way and continue with the other four shelf supports. Leave this assembly laying on a carpeted floor with the shelf and supports pointed upward.
3. Slide in the two tileboard shelves with the white side up.
4. Carefully attach the right side following the instructions in #2 above.
5. Place the assembled Toy Organizer upright on a level surface. Adjust it if necessary so that it sits flat and then tighten all bolts the remaining two turns. Screw in the wood screw into the rear top shelf support with a standard phillips screwdriver until it is tight. Place the bins in the bottom and middle shelves.

If you have any problems with assembly, please call us and we will help you. The top shelf is rated for up to 250 lbs.

There is a bracket available that allows two Toy Organizers to be stacked so that they will hold up to 24 bins.

There is also a caster kit available for this Toy Organizer so that it may be easily rolled around.

Additional bins are also available from Little Colorado. Please contact us for information on these accessories.

All of us at Little Colorado, Inc hope that you and your little ones enjoy this Toy Organizer for many years.

Please call us if you have any questions.

Manufactured in America by:

Little Colorado, Inc. 4450 Lipan Street Denver, Colorado 80211
 Phone 303-964-3212 Fax 303-964-3213 info@littlecolorado.com